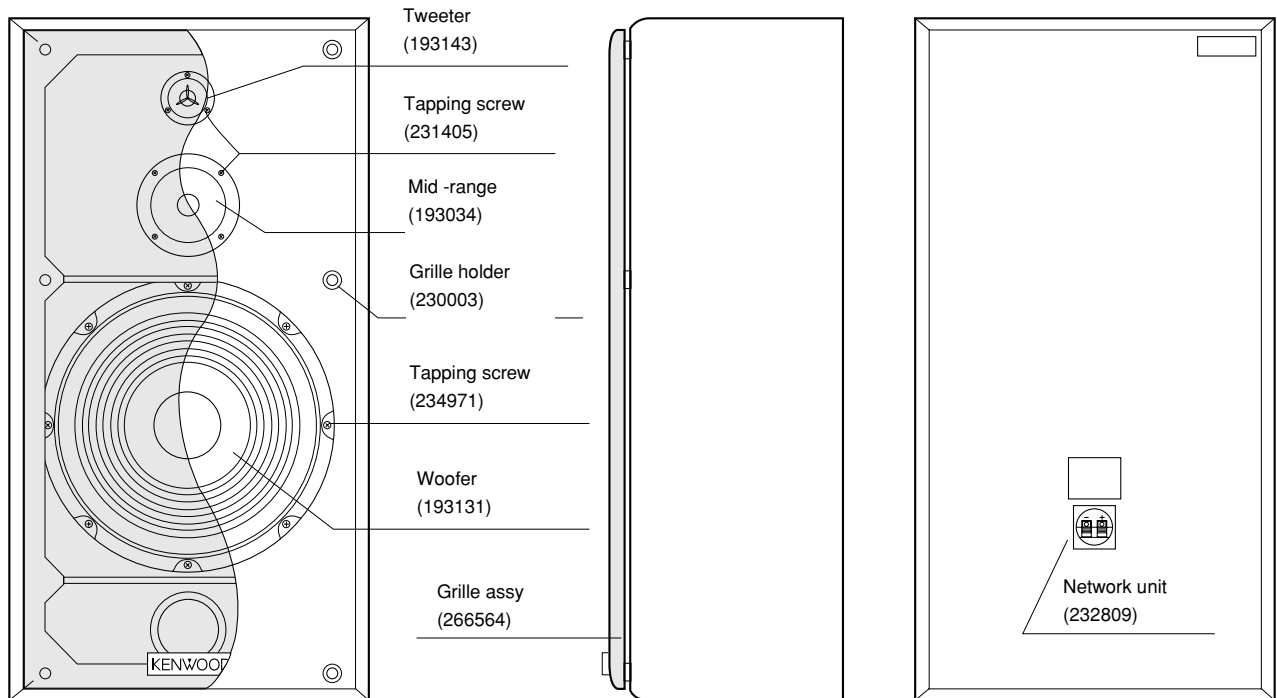


# JL-998

## SERVICE MANUAL

### EXTERNAL VIEW



**Note:** Please contact to KENWOOD SERVICE CORPORATION California 90810, U.S.A. If any question on service parts.

**Note:** Please contact to KENWOOD ELECTRONICS CANADA INC. Ontario, Canada L5T 1S8 If any question on service parts.

### SPECIFICATIONS

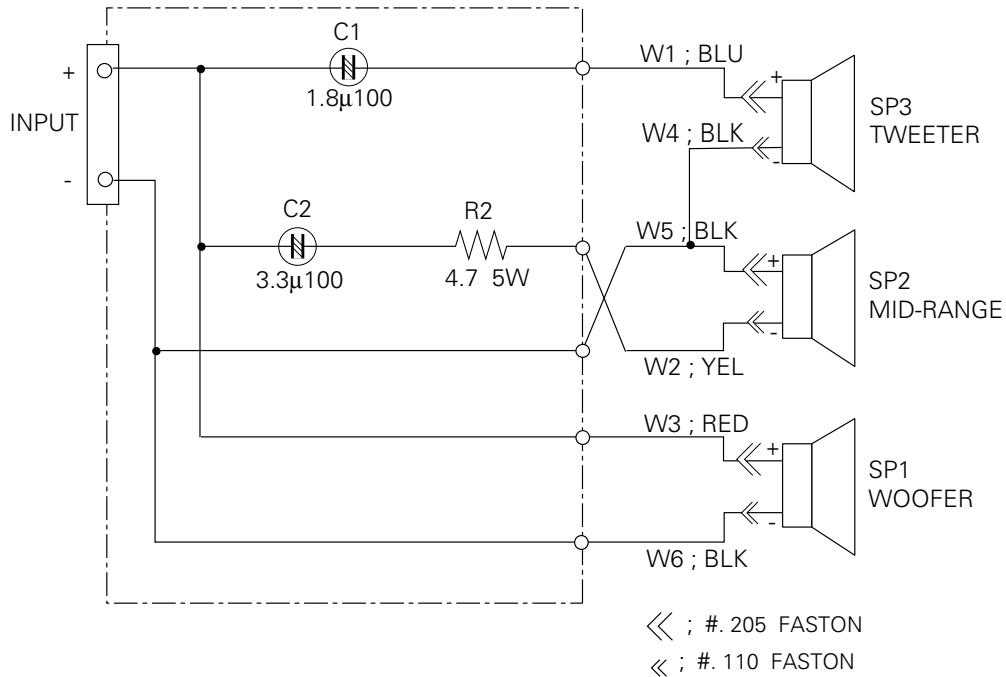
<b>Enclosure</b> .....	Bass-reflex type (magnetically shielded)
<b>Woofer</b> .....	380 mm, cone type
<b>Mid-range</b> .....	100 mm, cone type
<b>Tweeter</b> .....	13 mm, dome type
<b>Impedance</b> .....	8 Ω
<b>Maximum input level</b> .....	100 W
<b>Dimensions</b> .....	W: 470mm (18-1/2")
	H: 900mm (35-7/16")
	D: 279mm (11")
<b>Net Weight</b> .....	12.5kg (27.6 lb / piece)

**Note:** \_\_\_\_\_  
 KENWOOD follows a policy of continuous advancements in development.  
 For this reason specifications may be changed without notice.

# JL-998

## DIVIDING NETWORK UNIT / PARTS LIST

### DIVIDING NETWORK UNIT



### PARTS LIST

\* New Parts

Parts without **Parts No.** are not supplied.

Les articles non mentionnés dans le **Parts No.** ne sont pas fournis.

Teile ohne **Parts No.** werden nicht geliefert.

Ref. No.	Address	New Parts	Parts No.	Description	Destination	Remarks
<b>JL-998</b>						
-		*	266564	GRILLE ASSY		
-		*	231535	SPEAKER CORD		
-		*	231821	POLYSTYRENE FOAMED FIXTURE		
-		*	231723	PROTECTION BAG		
-		*	266566	ITEM CARTON CASE		
-		*	230003	GRILLE HOLDER		
SP1		*	193131	WOOFER		
SP2		*	193034	MID-RANGE		
SP3		*	193143	TWEETER		
-		*	232809	DIVIDING NETWORK UNIT		

L: Scandinavia

K: USA

P: Canada

R: Mexico

C: China

I: Malaysia

Y: PX(For East Hawaii) T: England

E: Europe

G: Germany

V: China(Shanghai)

Y: AAFES(Europe)

X: Australia

Q: Russia

H: Korea

M: Other Areas



indicates safety critical components.